

QV9.3

ALUMINUM

CASSETTES

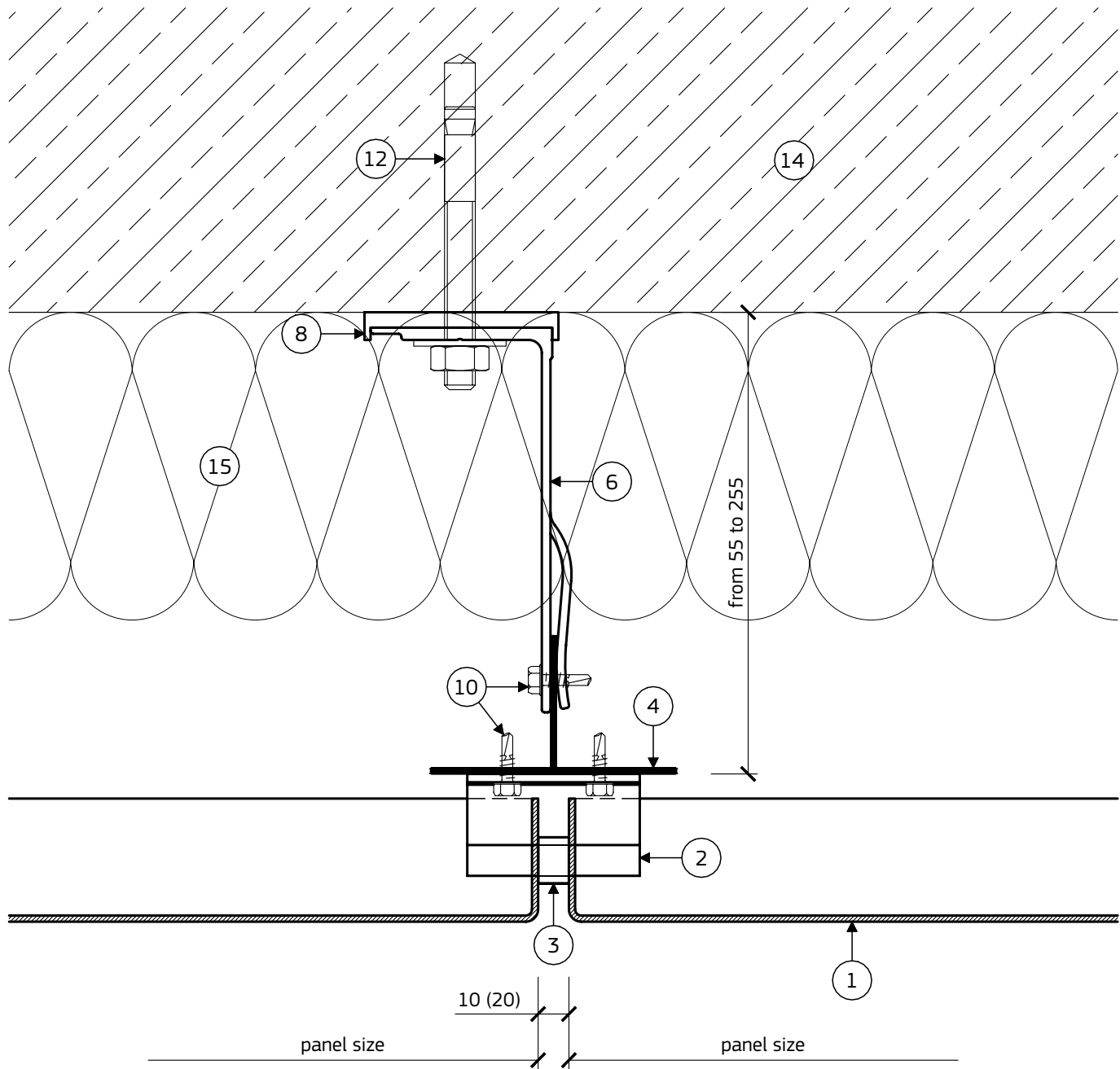
RAINSCREEN

SYSTEM

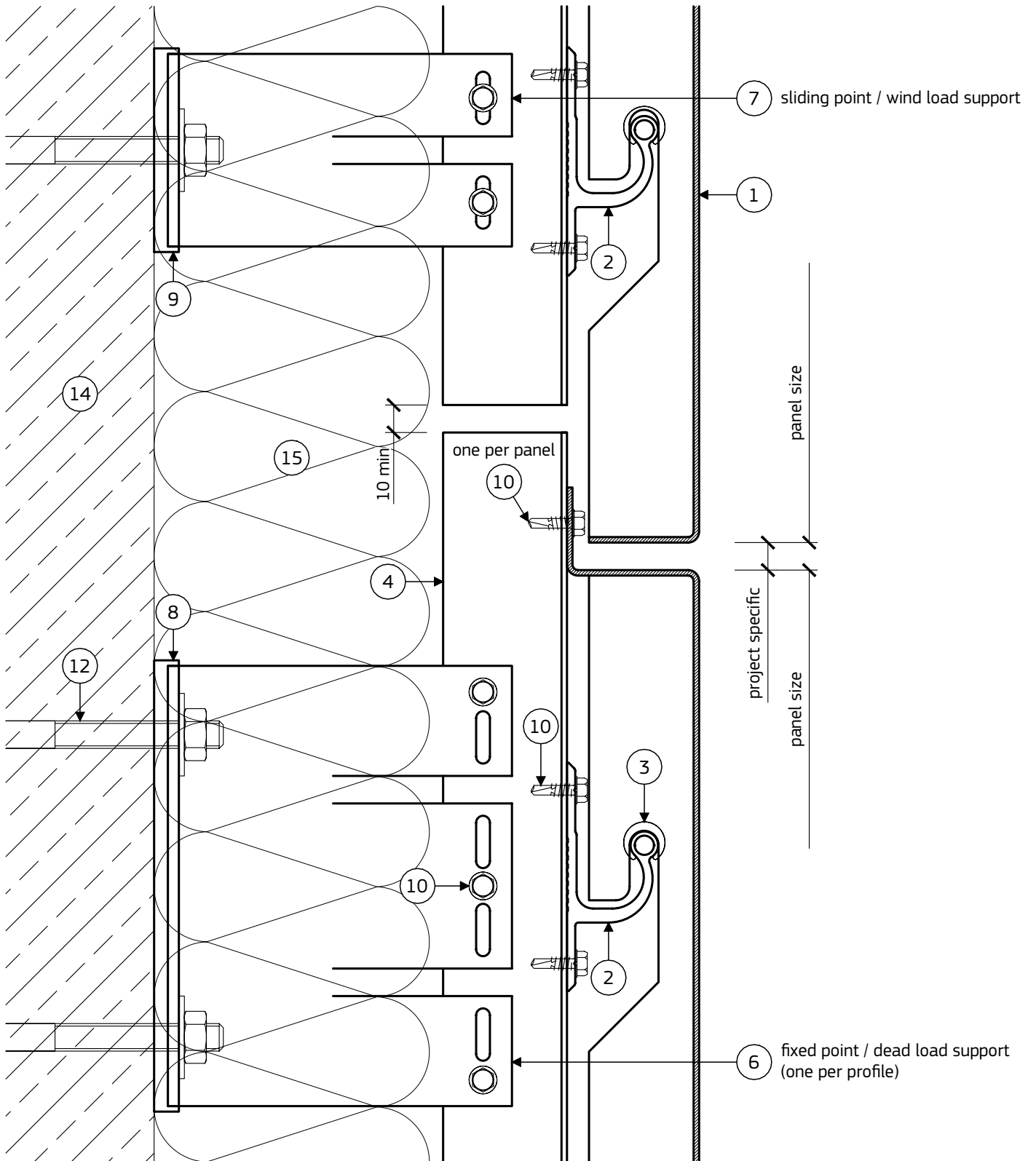
LEGEND

- ① ALUMINUM CASSETTE
- ② HANGER *art.No 09.302.48.60*
- ③ JOINT SPACER *art.No 09.303.10.9005*
- ④ PROFILE T80x45x2, PAINTED *art.No 01.2.80452.xxxP*
- ⑤ PROFILE L60x40x2 *art.No 01.1.60402.xxx*
- ⑥ WALL BRACKET QVB 125/160, FIXED POINT *art.No 02.125.160.10*
- ⑦ WALL BRACKET QVB 125/70, SLIDING POINT *art.No 02.125.70.10*
- ⑧ THERMO-PAD 160x59 *art.No 05.59.160*
- ⑨ THERMO-PAD 70x59 *art.No 05.59.70*
- ⑩ SELF-DRILLING SCREW Ø4.8x16 mm, A2
- ⑪ RIVET Ø4.8x12 mm, A2/A2
- ⑫ FASTENER
- ⑬ ADHESIVE TAPE
- ⑭ CONCRETE / MASONRY WALL
- ⑮ INSULATION
- ⑯ WINDOW SYSTEM
- ⑰ JOINT PLATE
- ⑱ SUPPORTING RIB
- ⑲ METAL TRIM / FLASHING / COPING
- ⑳ PERFORATED ALUMINUM SHEET

1.1 PLAN DETAIL

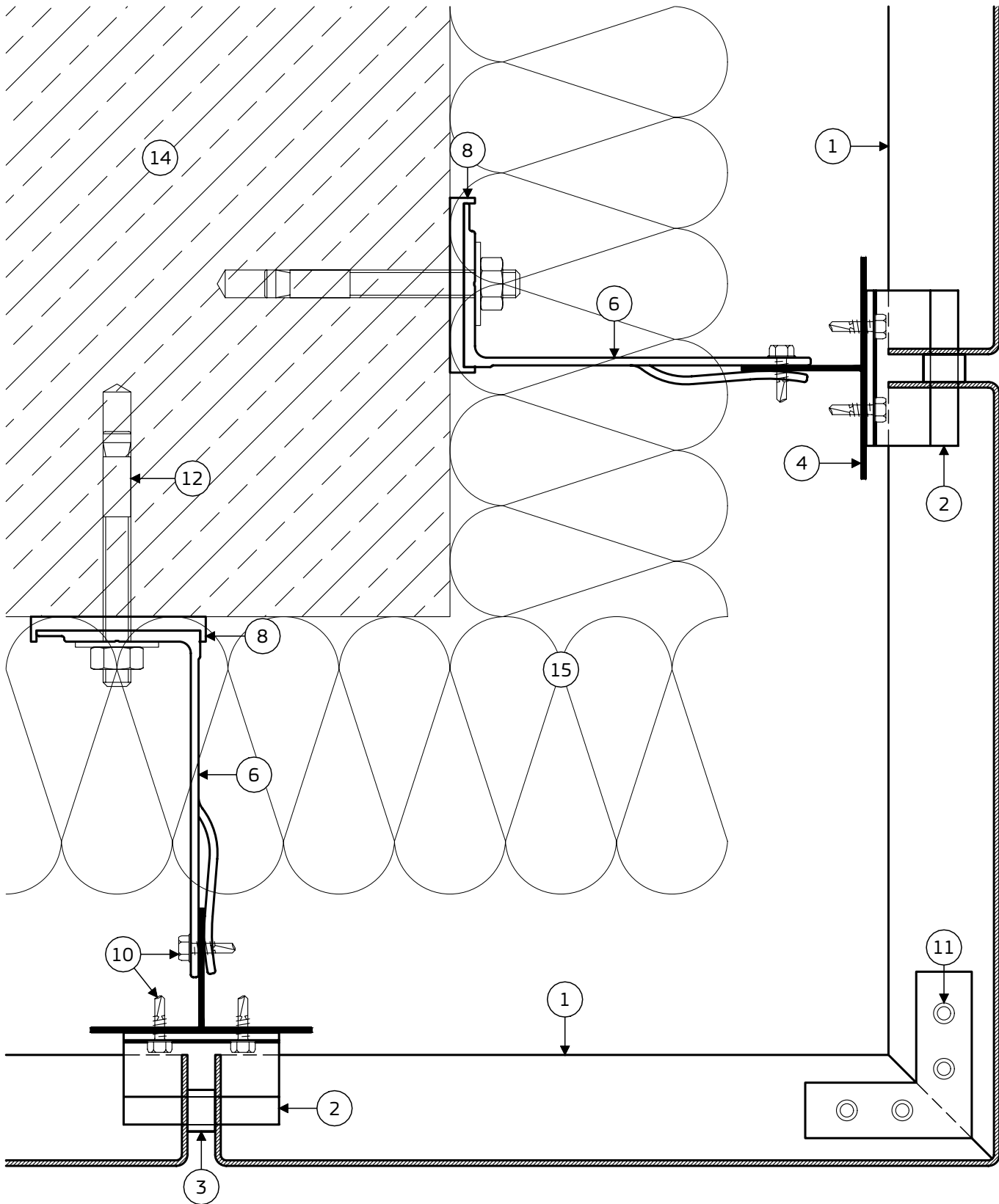


2.1 SECTION DETAIL

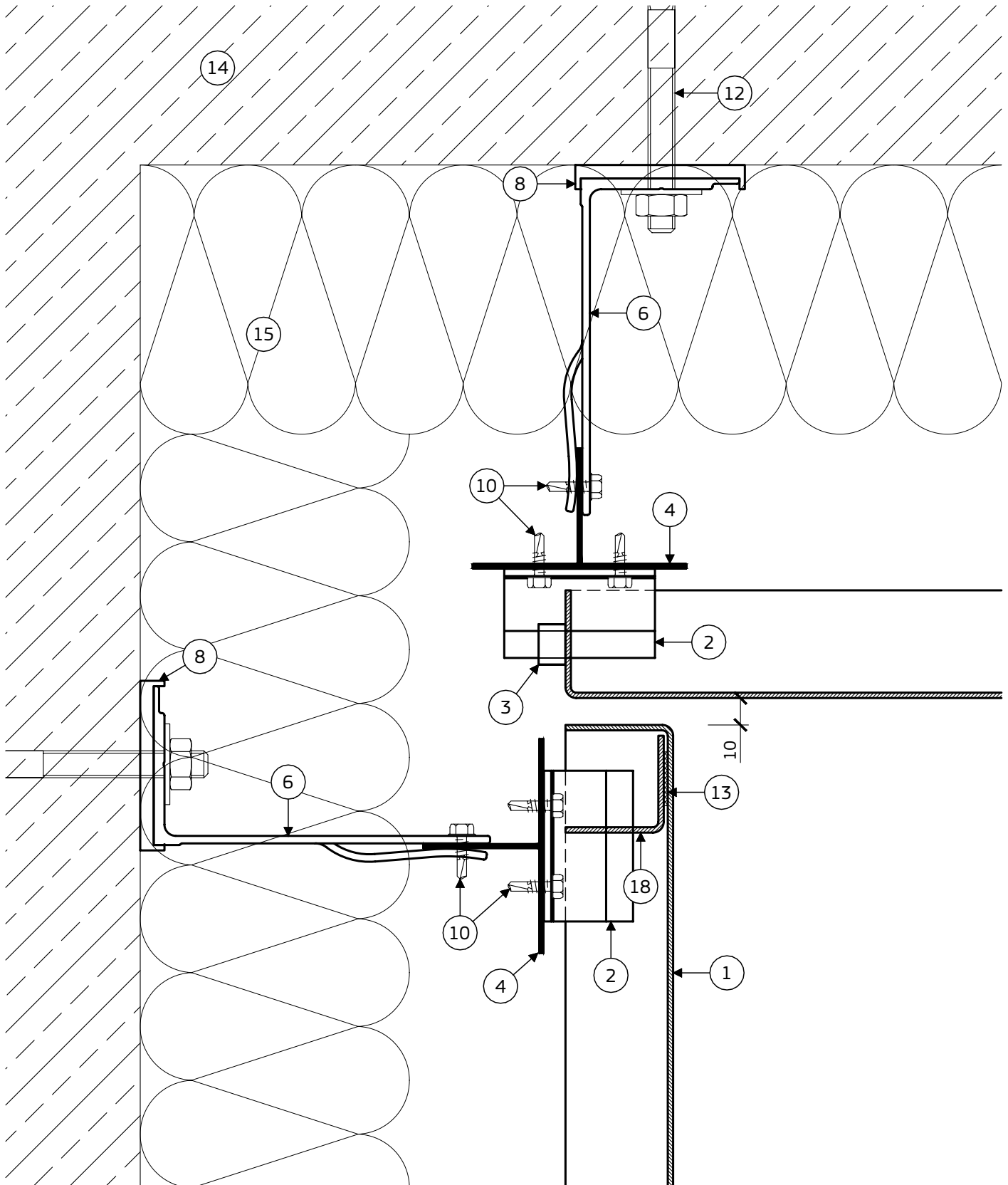


The profiles should be fixed using normal clearance holes (fixed point) and allowed to expand using slotted holes (sliding points), considering the fastener to fall at the center of the hole.

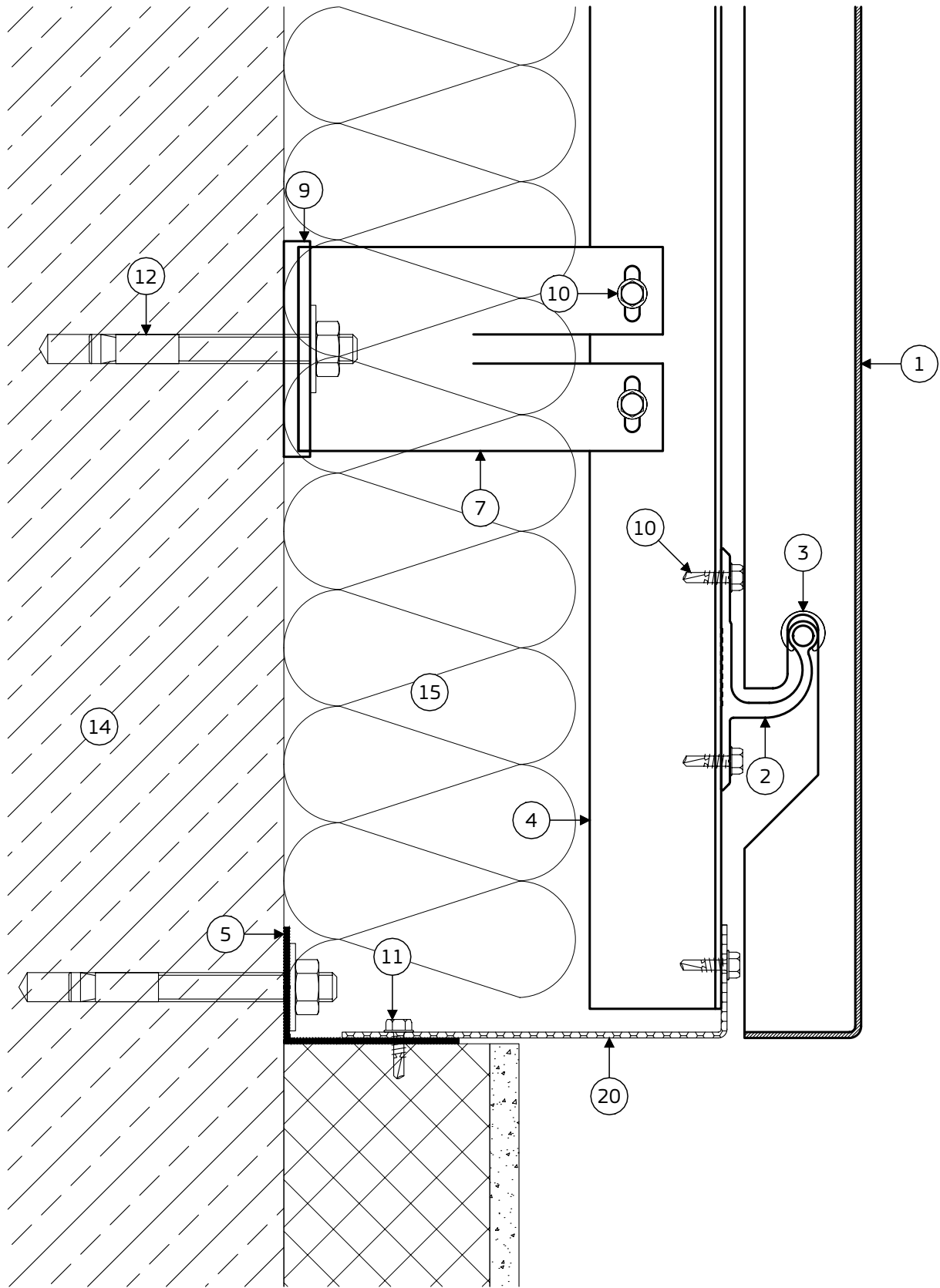
3.1 PLAN DETAIL - OUTSIDE CORNER



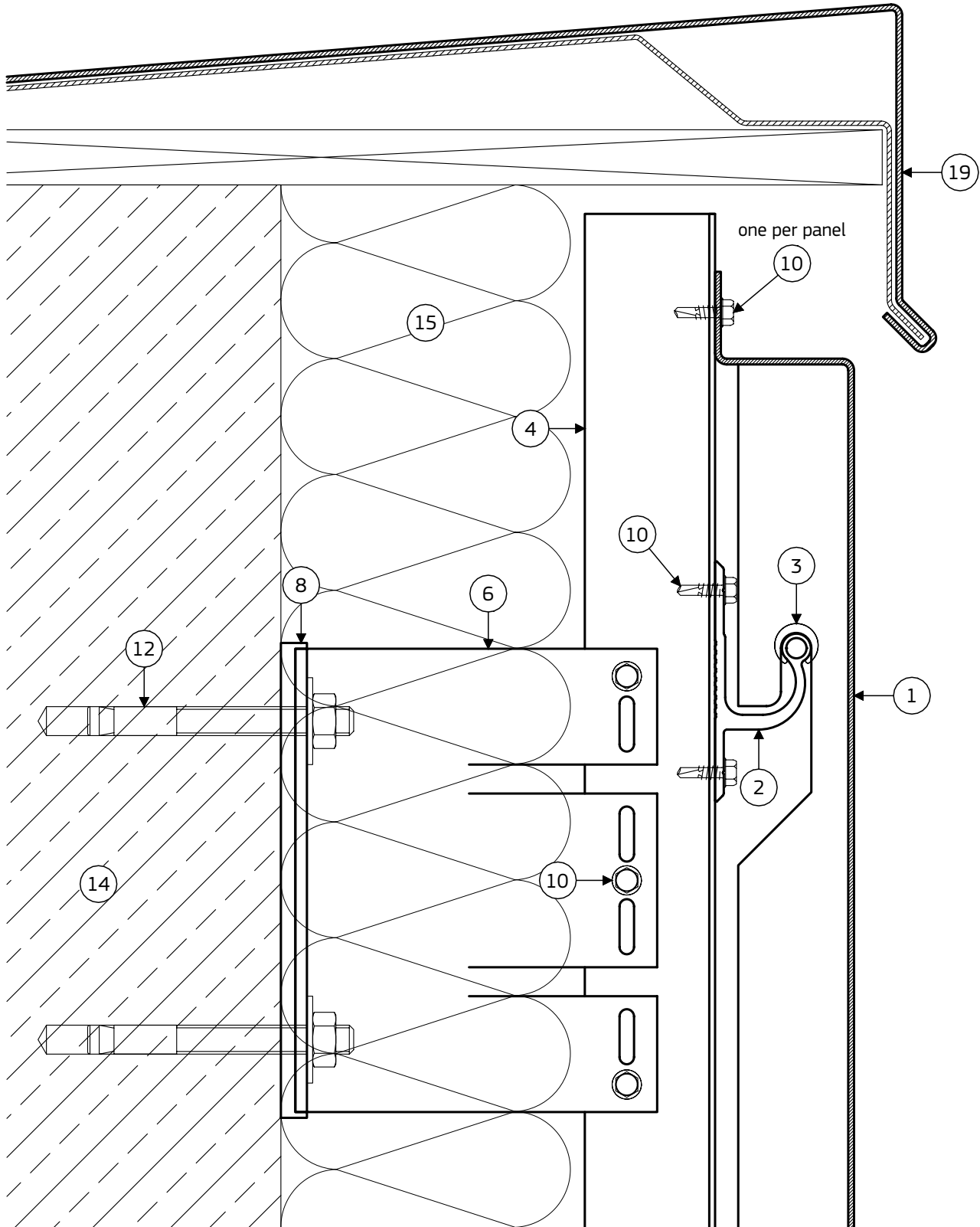
4.1 PLAN DETAIL - INSIDE CORNER



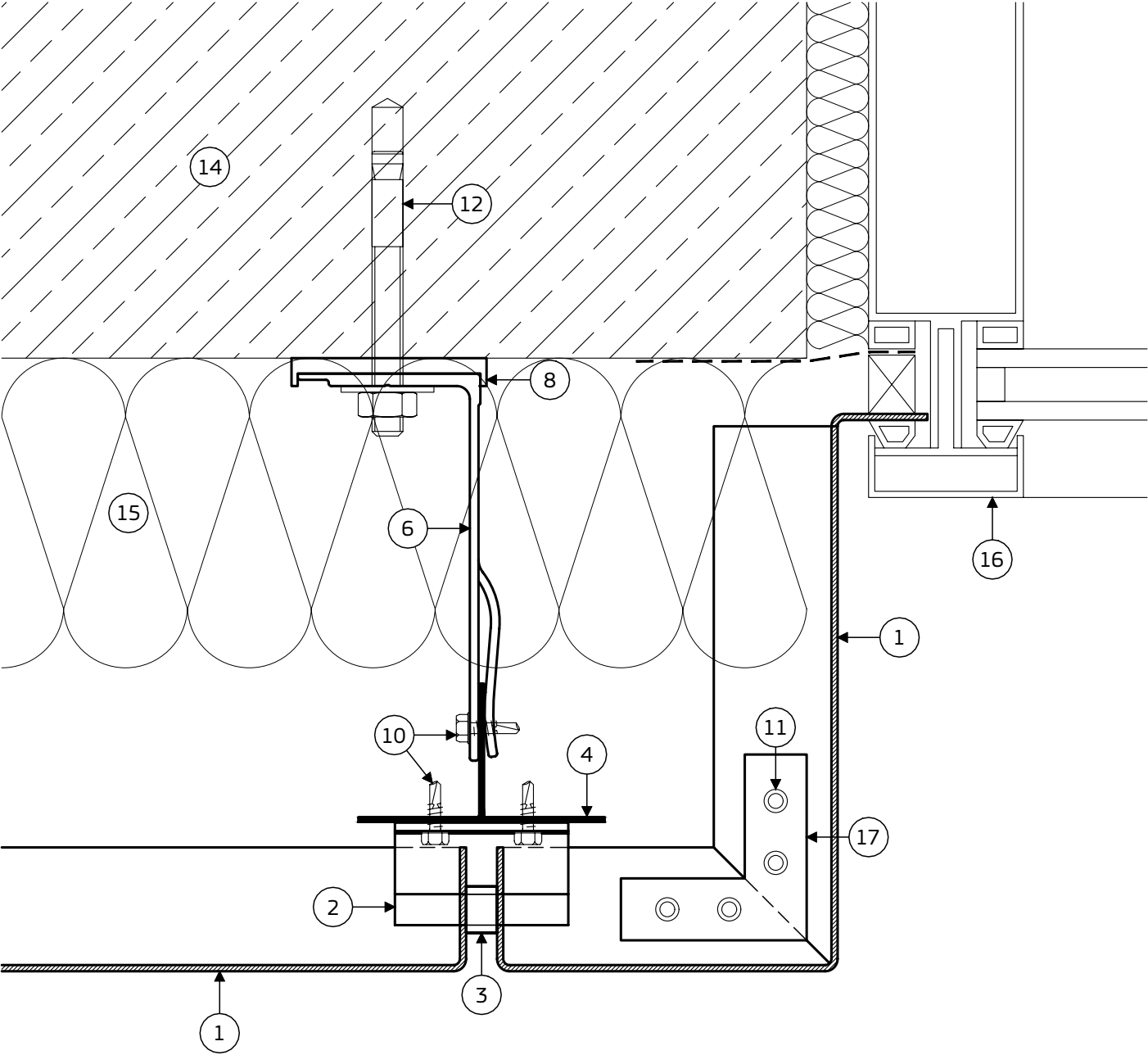
5.1 SECTION DETAIL - BASE



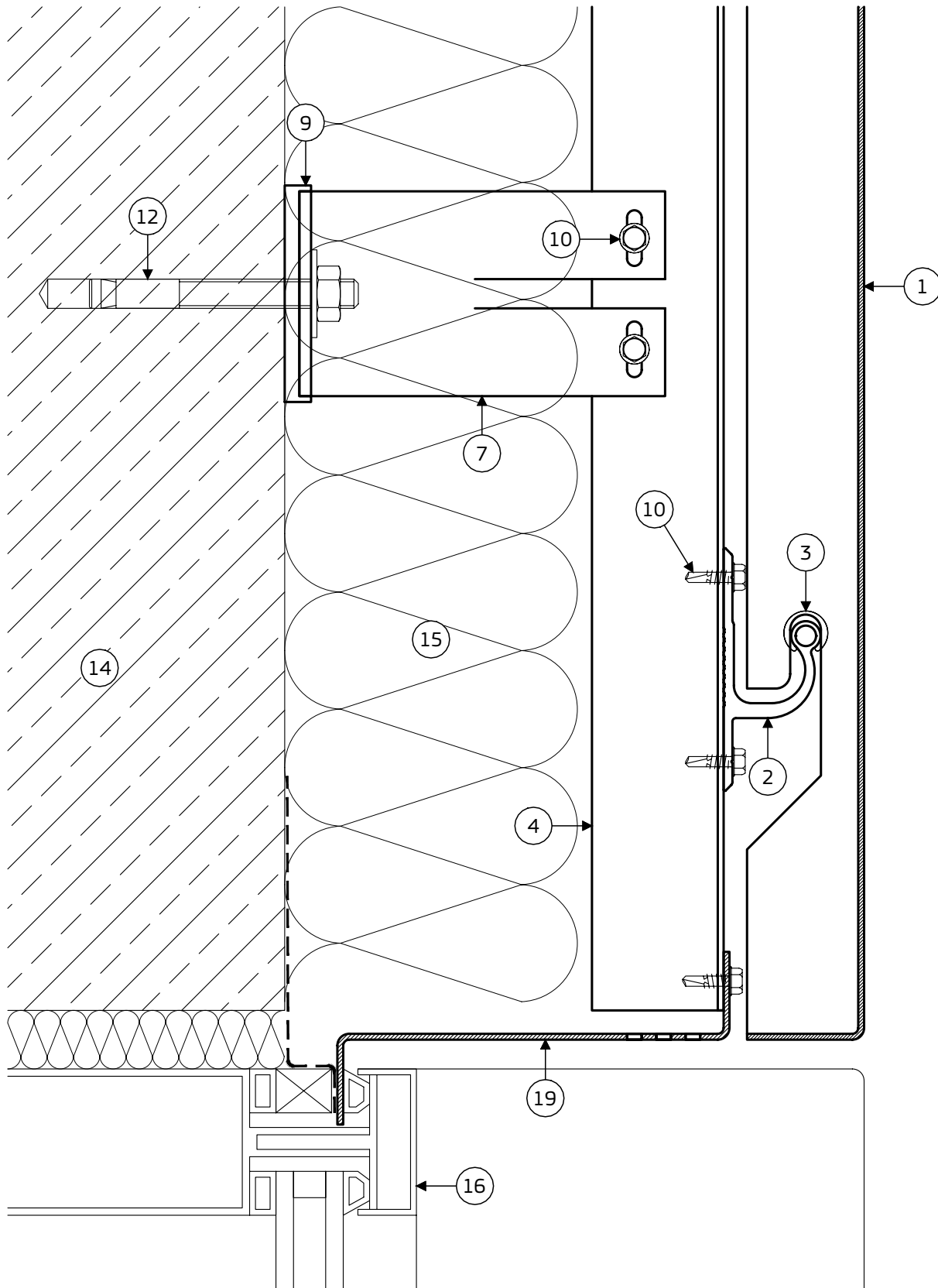
6.1 SECTION DETAIL - PARAPET



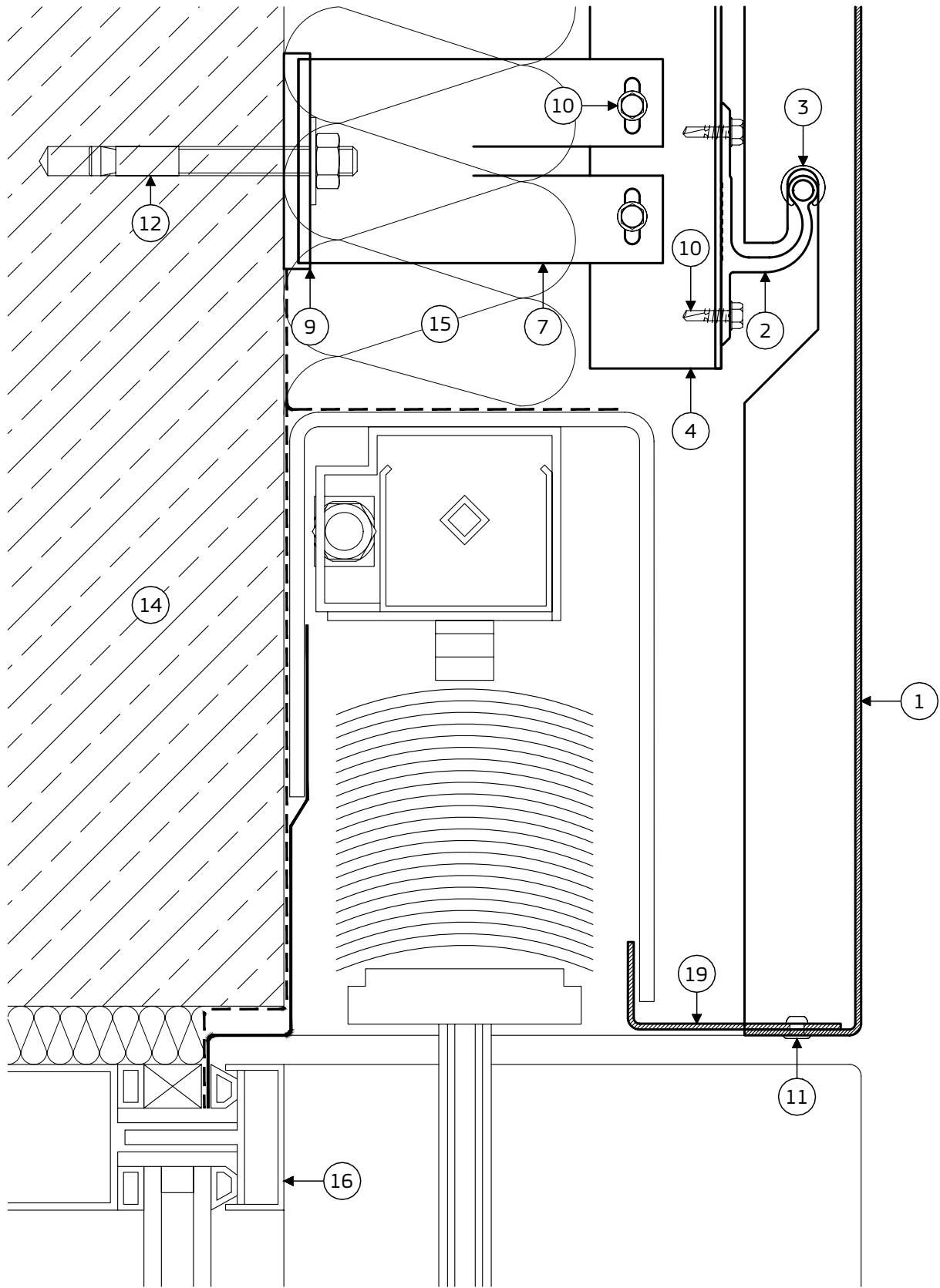
7.1 PLAN DETAIL - WINDOW JAMB



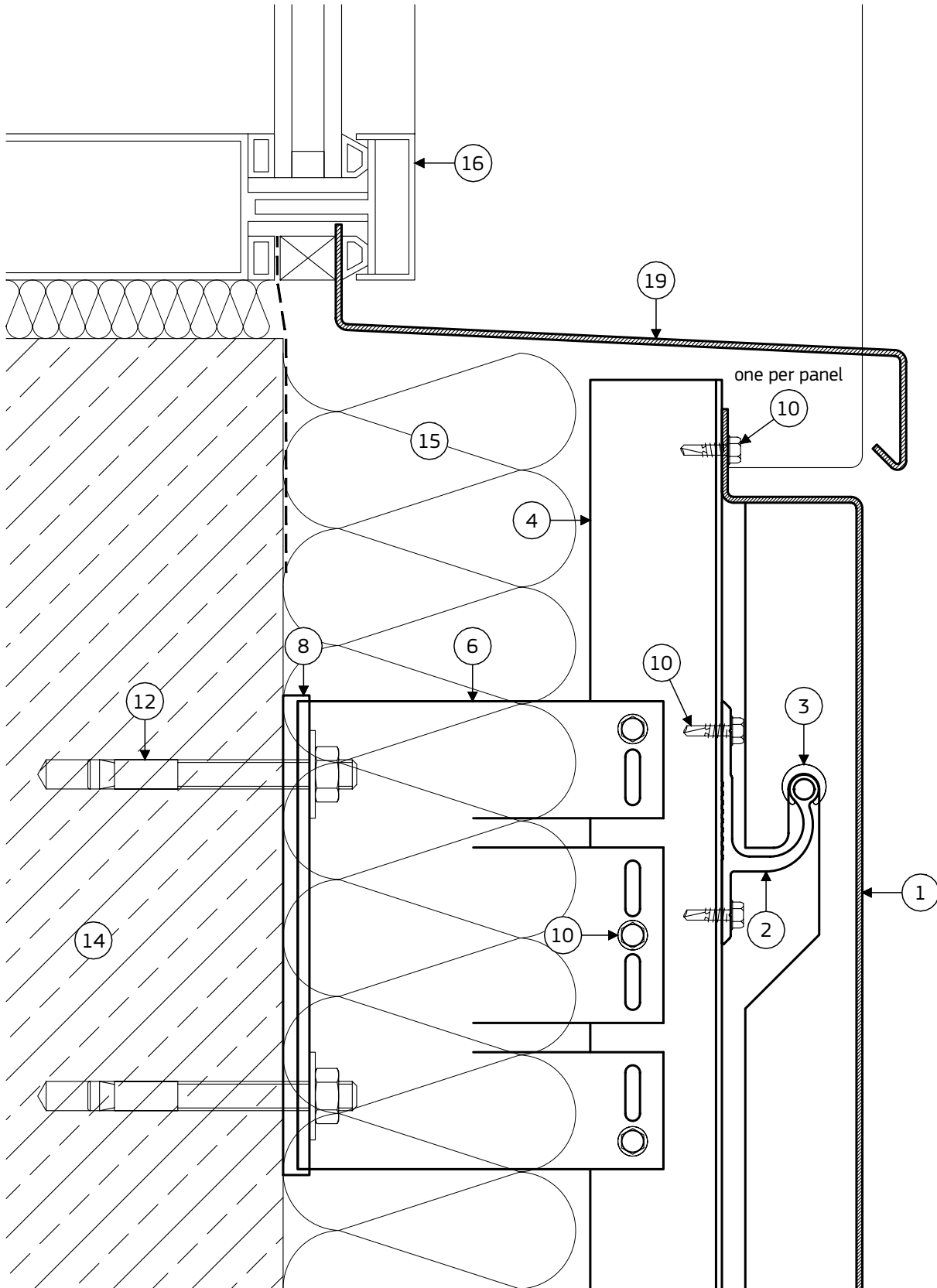
8.1 SECTION DETAIL - WINDOW HEAD



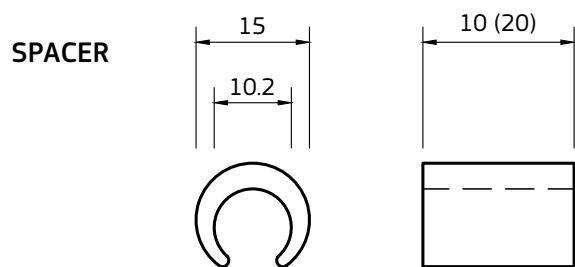
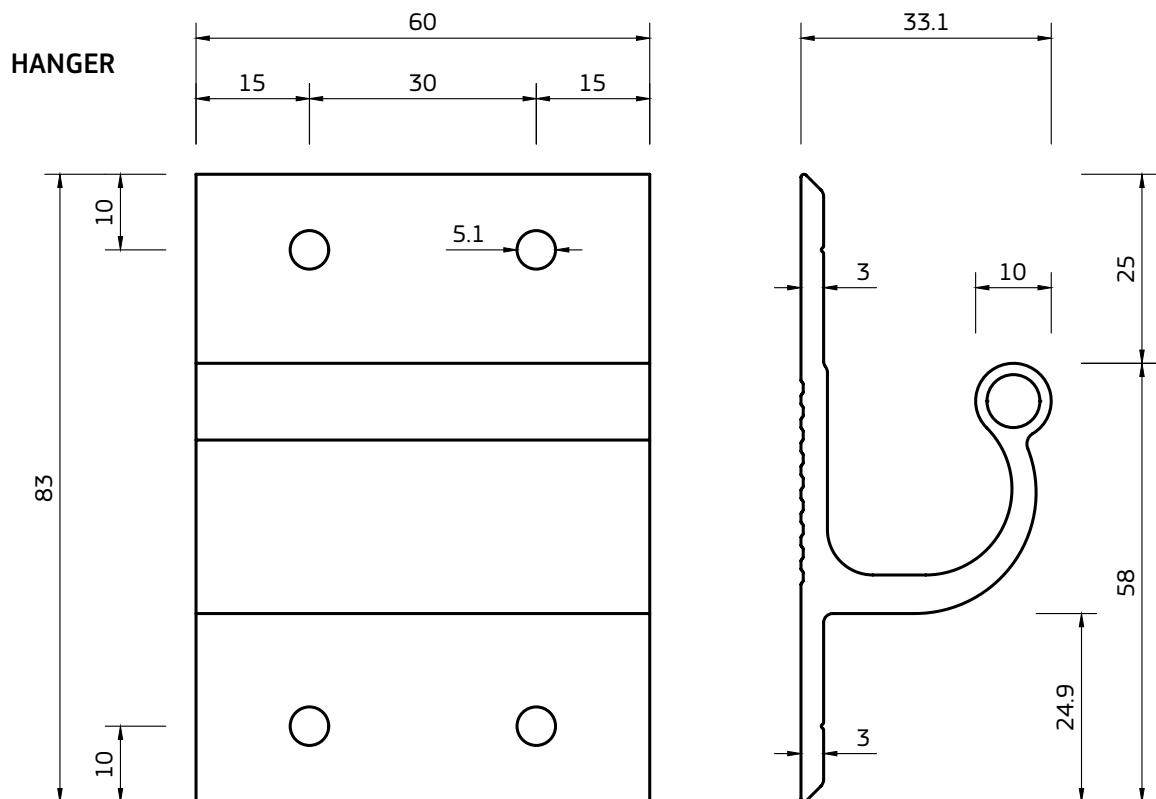
8.2 SECTION DETAIL - WINDOW HEAD



9.1 SECTION DETAIL - WINDOW SILL



SYSTEM COMPONENTS



Article No	Description	Hole size	Finish	Material	Weight
09.302.48.60P	Hanger 83x60 mm, holes Ø5 mm	Ø5.1	painted black	AW 6063 T66	77 g/pcs
09.302.48.60	Hanger 83x60 mm, holes Ø5 mm	Ø5.1	unpainted	AW 6063 T66	77 g/pcs
09.303.10.9005	Spacer 10 mm			Silicone	2 g/pcs
09.303.20.9005	Spacer 20 mm			Silicone	4 g/pcs

Non-standard hangers on request.

Other colors on request.

10/2018

All dimensions are in mm | Scale 1:1